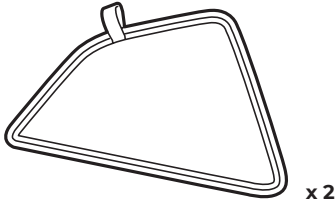


Installation Manual

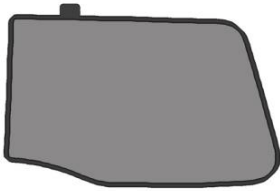
HONDA CIVIC 3 DR
HON-CIVI-3-B



COMPONENTS INCLUDED



x 2



x 2



x 1

FIXING CLIPS



CL-M02 x 6



CL-M12 x 3



CL-M13 x 4

CAR
SHADES

SIDE SHADE INSTALLATION

INSTALLATION

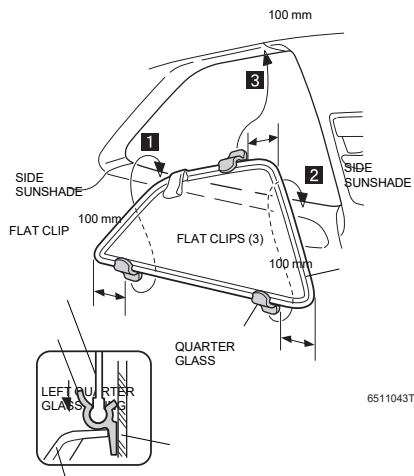
Before You Begin:

- In these instructions, the illustrations show the left side sunshade being installed. The same procedure applies to the right side sunshade.
- Be extremely careful not to damage the body paint finish.

■ SIDE WINDOWS

Installing the Side Sunshade

1. Install the three flat clips on the side sunshade as shown.
2. Insert the three flat clips into the gap between the glass and lining in the numbered sequence of **1** through **3**.



3. Repeat the procedure to install the side sunshade on the right side.
4. Remove the sunshades in the reverse order of installation.

Installation

HONDA CIVIC 3 DR

HON-CIVI-3-B



PORT SHADE INSTALLATION



Please repeat this
on the other side.



Installation

HONDA CIVIC 3 DR HON-CIVI-3-B



TAILGATE SHADE INSTALLATION



Please repeat on the above on the other side.

Installation

HONDA CIVIC 3 DR

HON-CIVI-3-B



TAILGATE SHADE INSTALLATION

