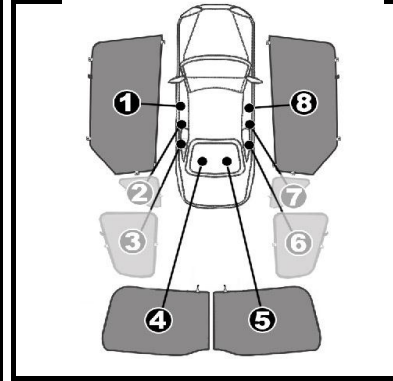


## INSTALLATION INSTRUCTIONS

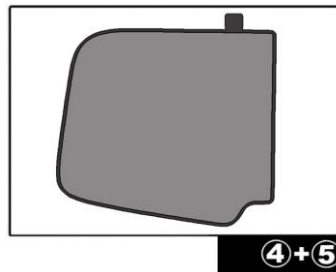
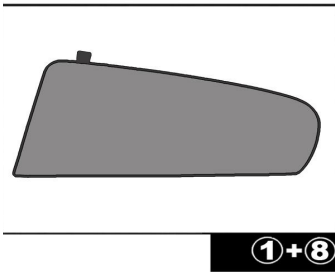
MERCEDES E CLASS 1995 4 DOOR

MB-ECLS-4-X

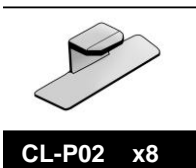


### COMPONENTS INCLUDED

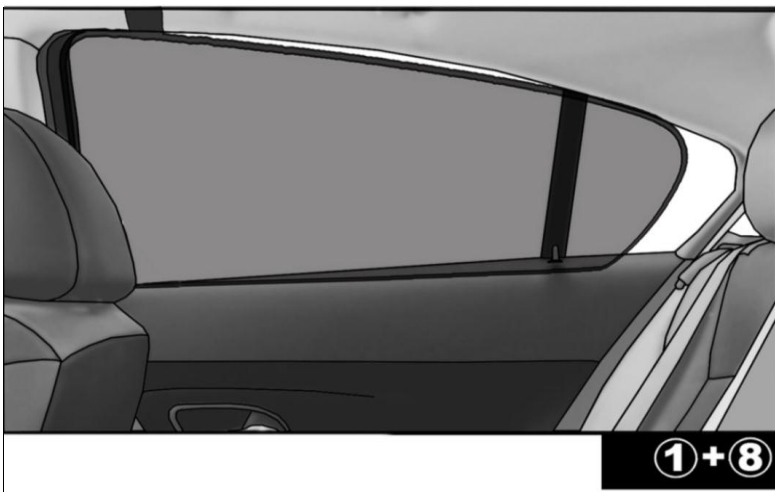
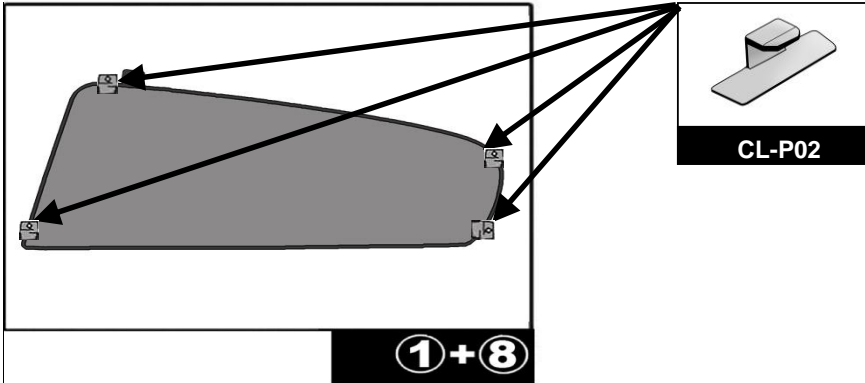
#### SHADES



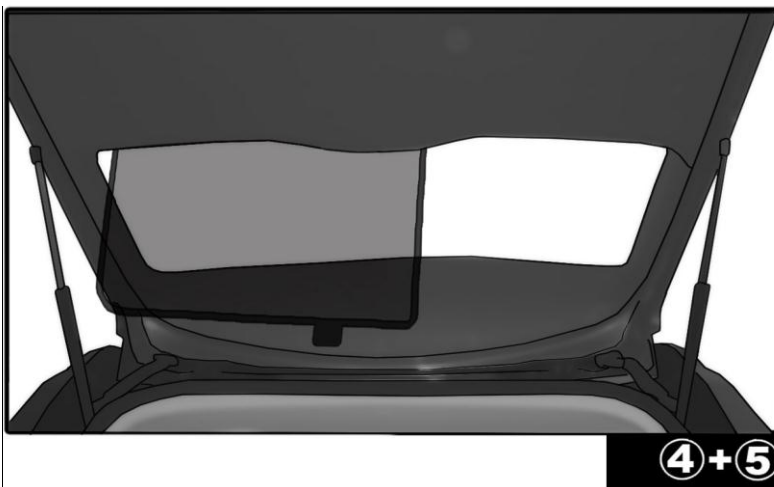
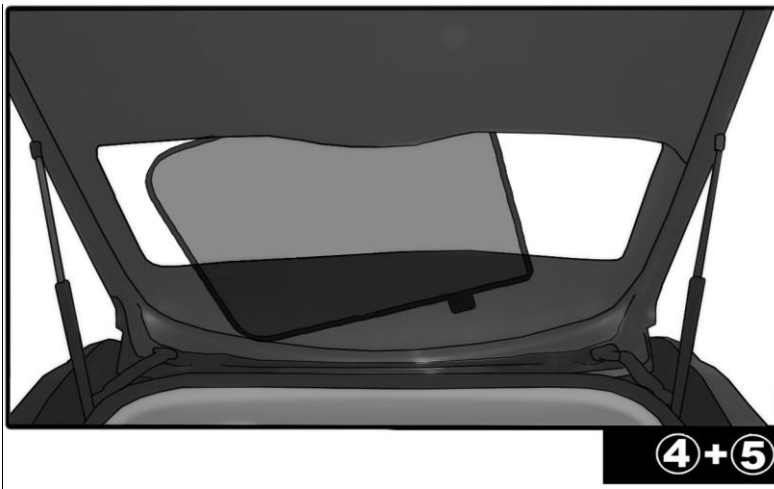
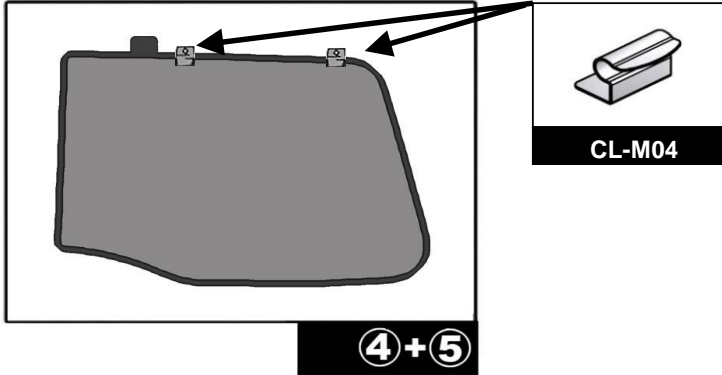
#### FIXING CLIPS



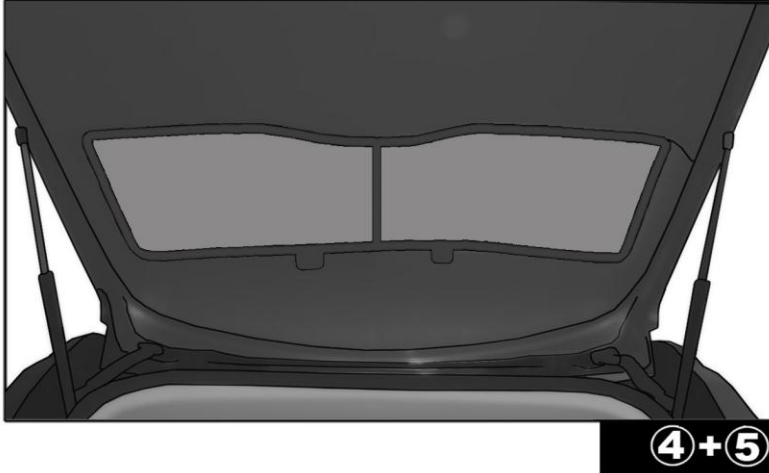
SIDE SHADE INSTALLATION



REAR SHADE INSTALLATION



REAR SHADE INSTALLATION



ictures do not reflect the actual size and shape of the blinds they are only for guidance