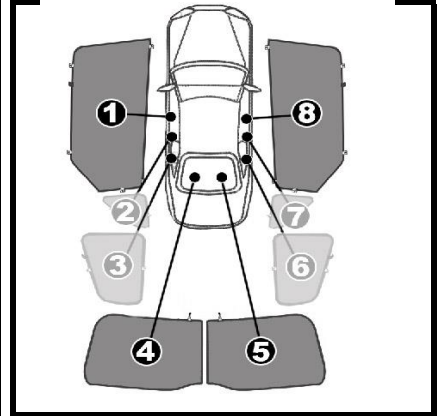


## INSTALLATION INSTRUCTIONS

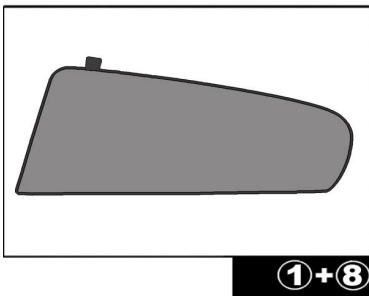
SEAT IBIZA 3 DOOR 2009-

SEA-IBIZ-3-B

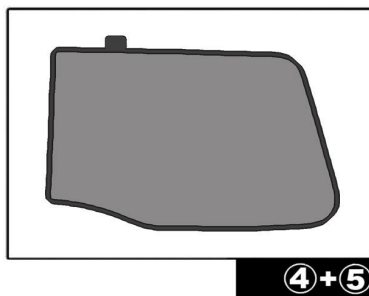


### COMPONENTS INCLUDED

#### SHADES

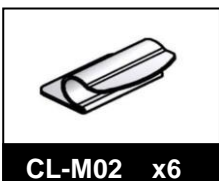


①+⑧



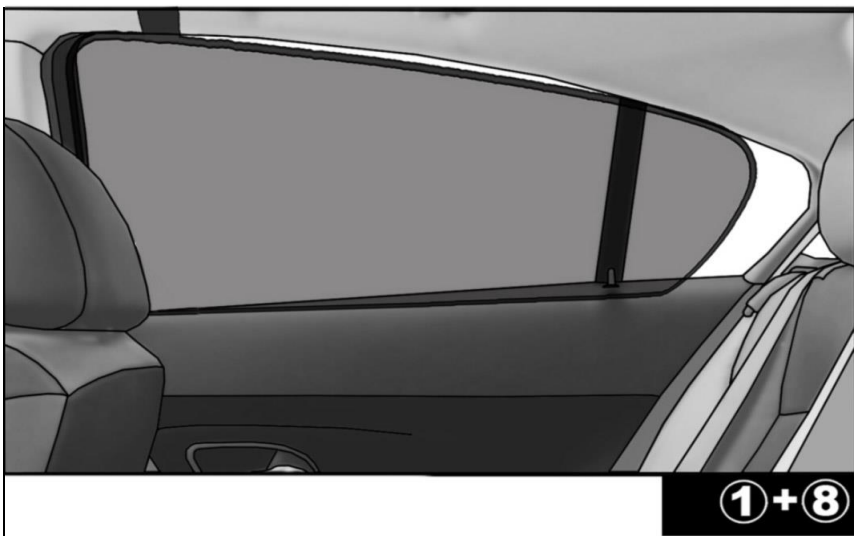
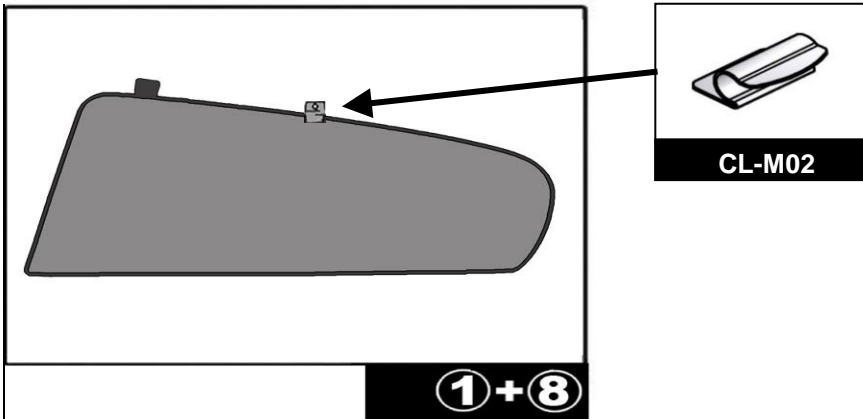
④+⑤

#### FIXING CLIPS

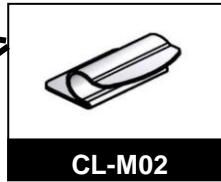
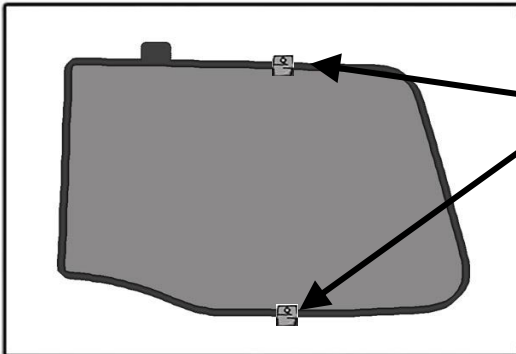


CL-M02 x6

SIDE SHADE INSTALLATION

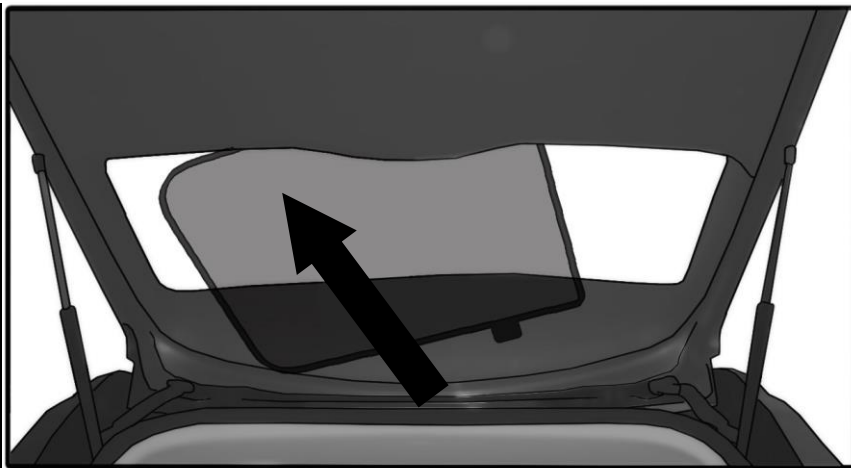


REAR SHADE INSTALLATION

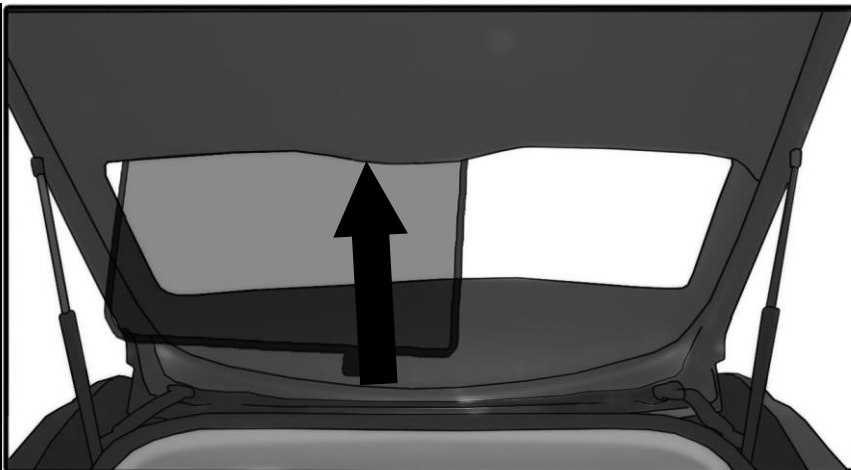


CL-M02

④+⑤

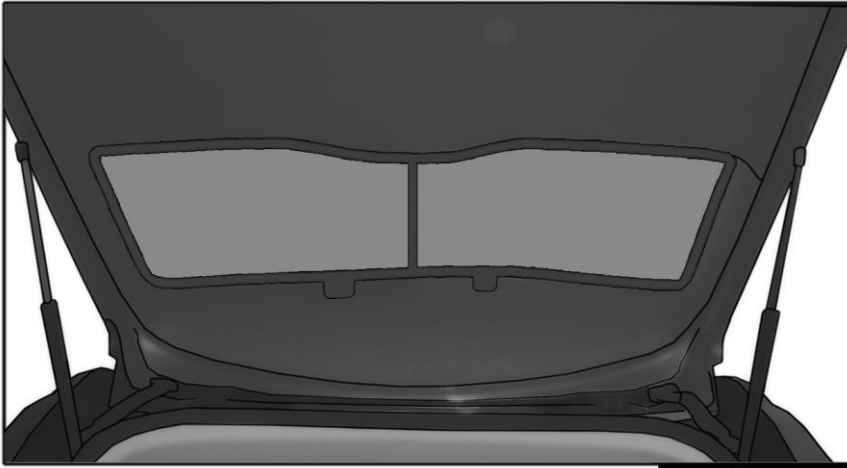


④+⑤



④+⑤

REAR SHADE INSTALLATION



④+⑤