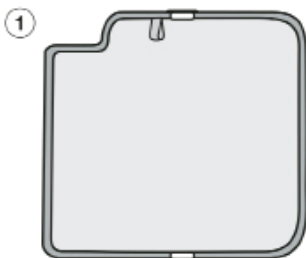


Installation Manual

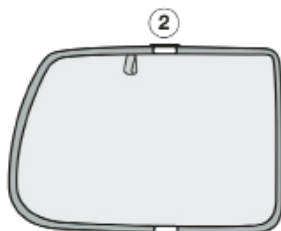
SUZUKI IGNIS 3DR
SUZ-IGNI-3-A



COMPONENTS INCLUDED



x2



x2



CL-P02 x 8



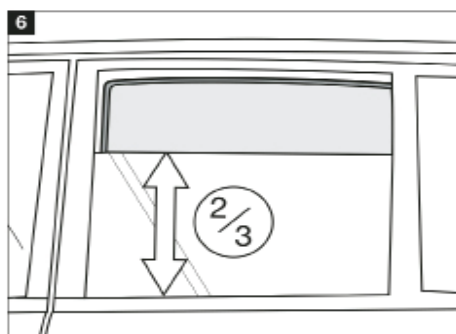
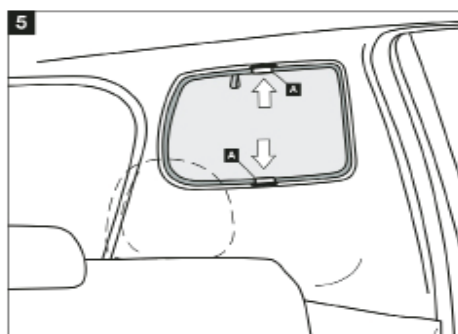
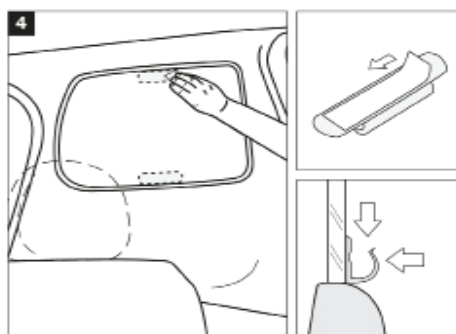
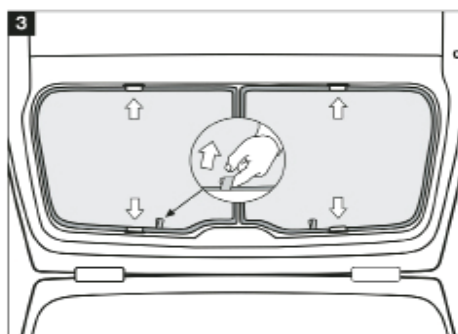
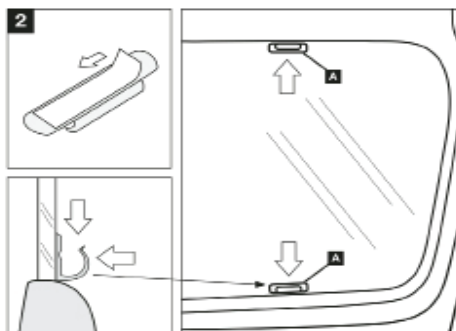
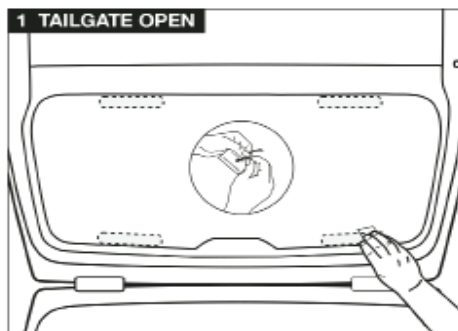
CL-W01 x 1



Installation

SUZUKI IGNIS 3DR

SUZ-IGNI-3-A



WARNING:

Read these fitting instructions carefully before you start the installation. Rear passenger windows must not be lowered more than 1/3 whilst the blinds are fitted and the vehicle is in motion. On installation care must be taken not to scratch any paintwork with clips.